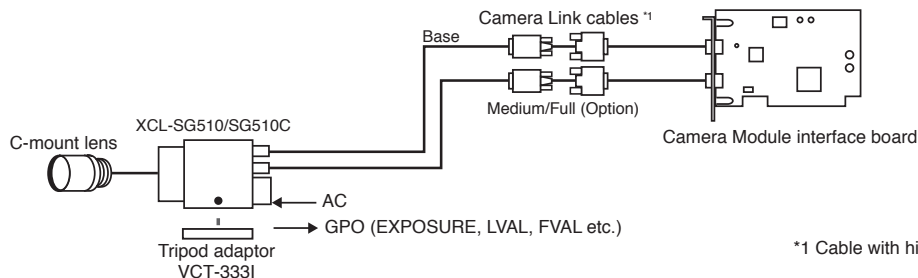


Connection Diagram

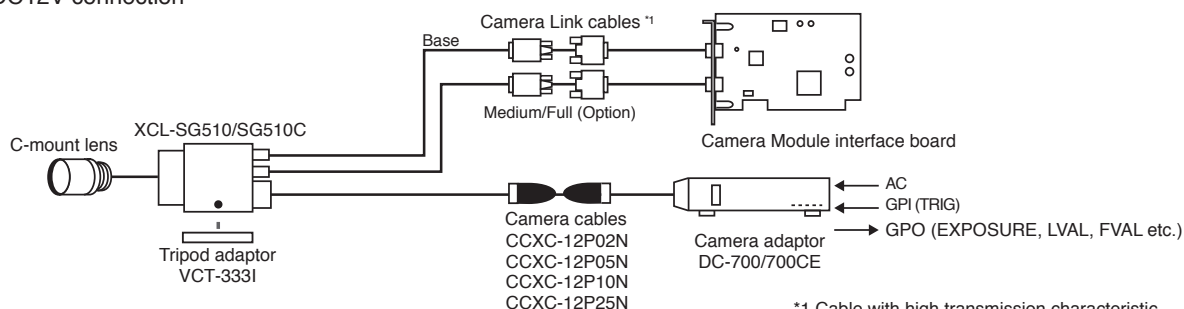
XCL-SG510/SG510C

• PoCL connection



*1 Cable with high transmission characteristic.

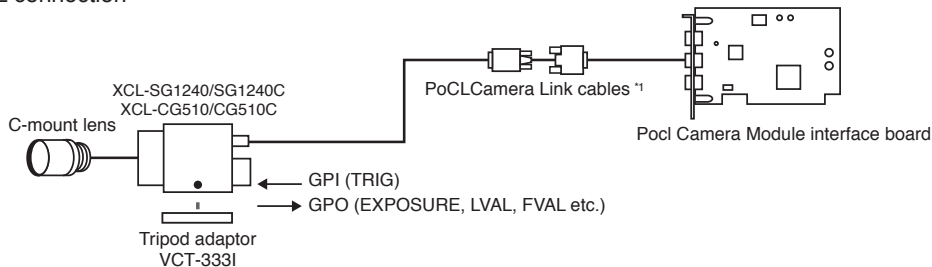
• DC12V connection



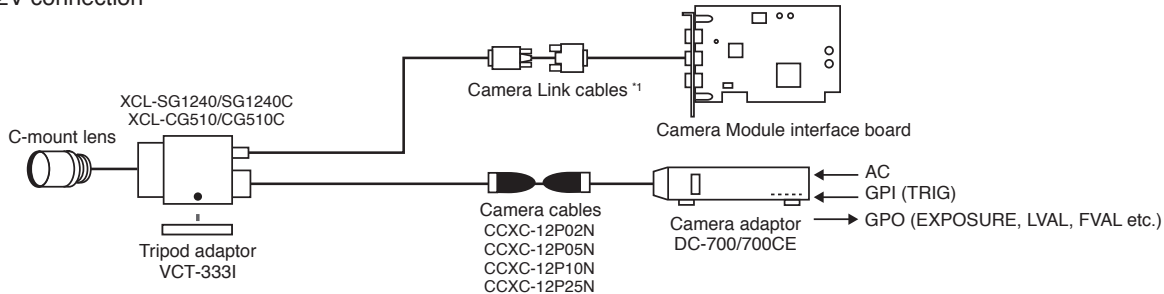
*1 Cable with high transmission characteristic.

XCL-SG1240/SG1240C, XCL-CG510/CG510C

• PoCL connection



• DC12V connection

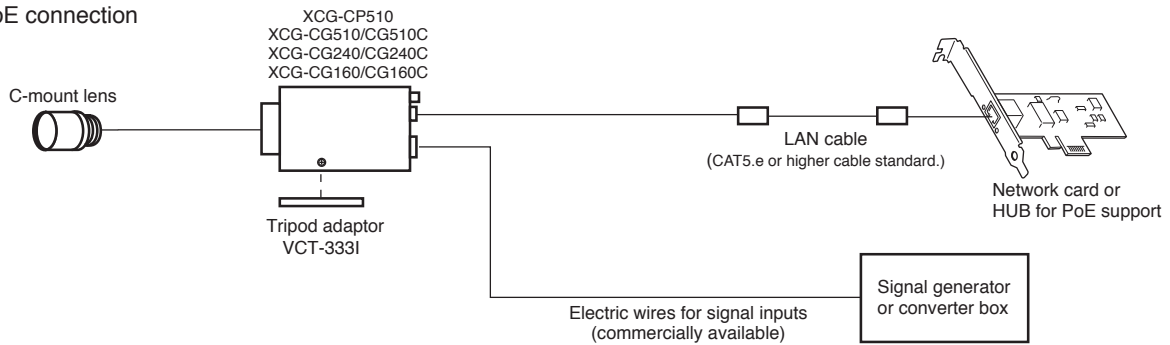


*1 Cable with high transmission characteristic.

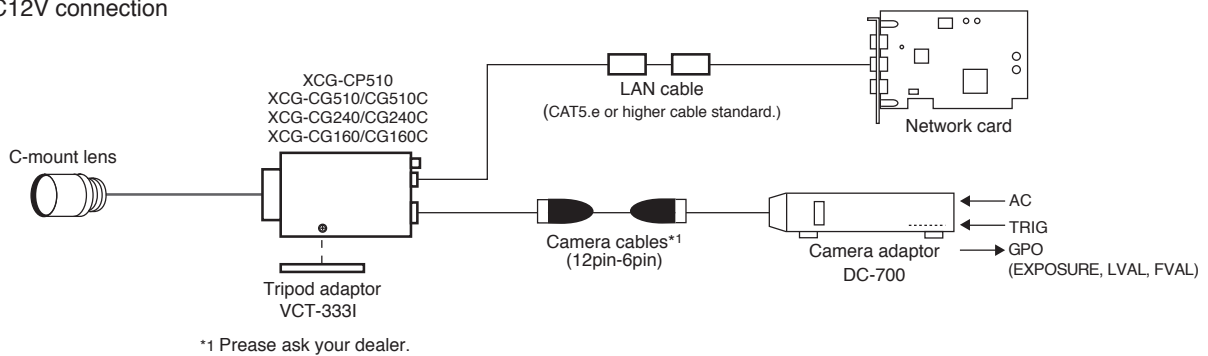
Connection Diagram

XCG-CP Series, XCG-CG Series

• PoE connection

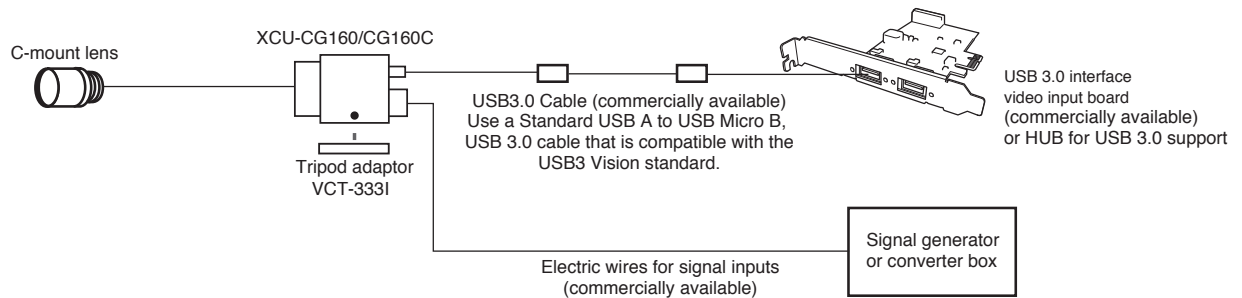


• DC12V connection



XCU-CG Series

• USB bus power connection



• DC12V connection

